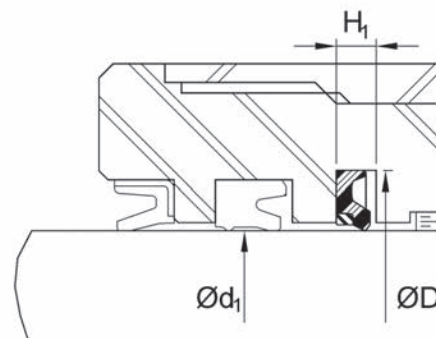
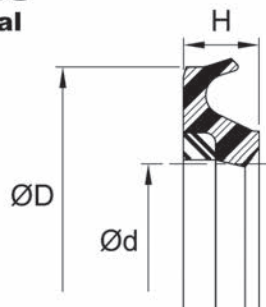




## HBY - Buffer Seals

Polyurethane AU 94A/Polyacetal



Temperature: -31/212F [ -35/100C ]

Pressure: 8500 PSI [ 586 Bar ]

Ref.Number	Rod diameter		Nominal Seal Dimensions			Housing Dimensions					
		Tol.	d	D	H	d1	Tol.	D1	Tol.	H1	Tol.
HBY-01250	1.250	+ .000 / - .003	1.250	1.812	0.125	1.250	+ .000 / - .003	1.813	+ .007 / - .000	0.140	+ .015 / - .000
HBY-01500	1.500	+ .000 / - .003	1.500	2.062	0.125	1.500	+ .000 / - .003	2.062	+ .008 / - .000	0.140	+ .015 / - .000
HBY-01750	1.750	+ .000 / - .003	1.750	2.312	0.125	1.750	+ .000 / - .003	2.313	+ .008 / - .000	0.140	+ .015 / - .000
HBY-02000	2.000	+ .000 / - .003	2.000	2.562	0.125	2.000	+ .000 / - .003	2.563	+ .008 / - .000	0.140	+ .015 / - .000
HBY-02250	2.250	+ .000 / - .003	2.250	2.937	0.187	2.250	+ .000 / - .003	2.938	+ .008 / - .000	0.234	+ .015 / - .000
HBY-02500	2.500	+ .000 / - .003	2.500	3.187	0.187	2.500	+ .000 / - .003	3.188	+ .008 / - .000	0.234	+ .015 / - .000
HBY-02750	2.750	+ .000 / - .003	2.750	3.375	0.187	2.750	+ .000 / - .003	3.375	+ .009 / - .000	0.234	+ .015 / - .000
HBY-03000	3.000	+ .000 / - .004	3.000	3.625	0.187	3.000	+ .000 / - .004	3.625	+ .009 / - .000	0.234	+ .015 / - .000
HBY-03500	3.500	+ .000 / - .004	3.500	4.187	0.187	3.500	+ .000 / - .004	4.188	+ .009 / - .000	0.234	+ .015 / - .000
HBY-04000	4.000	+ .000 / - .004	4.000	4.625	0.187	4.000	+ .000 / - .004	4.625	+ .009 / - .000	0.234	+ .015 / - .000



NOTE: MINIMUM LINE ORDER MAY APPLY