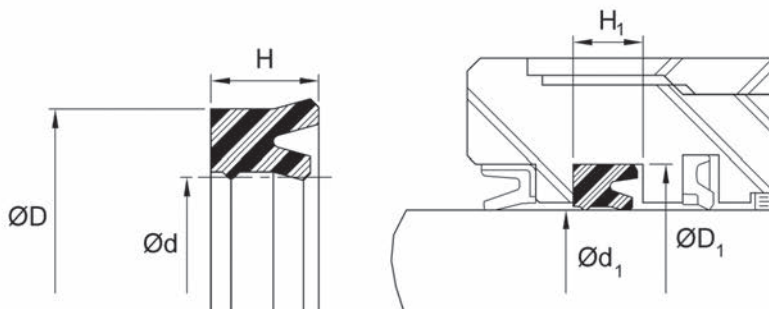




BS - Rod Seals

Hythane AU 92A



Temperature: -50/230F [-45/110C]

Pressure: 6000 PSI [415 Bar]

Ref.Number	Rod diameter	Nominal Seal Dimensions			Housing Dimensions					
	Tol.	d	D	H	d1	Tol.	D1	Tol.	H1	Tol.
BS12500375-198	0.375 +.000 / -.001	0.375	0.625	0.198	0.375	+.000 / -.001	0.625	+.002 / -.000	0.218	+.010 / -.000
BS18700375-312	0.375 +.000 / -.001	0.375	0.750	0.312	0.375	+.000 / -.001	0.750	+.002 / -.000	0.343	+.010 / -.000
BS12500500-187	0.500 +.000 / -.001	0.500	0.750	0.187	0.500	+.000 / -.001	0.750	+.003 / -.000	0.206	+.010 / -.000
BS12500562-187	0.562 +.000 / -.001	0.562	0.812	0.187	0.562	+.000 / -.001	0.812	+.003 / -.000	0.206	+.010 / -.000

INCH SIZE
ROD SEALS



NOTE: MINIMUM LINE ORDER MAY APPLY



BS SERIES - AU 92A

Ref.Number	Rod diameter		Nominal Seal Dimensions			Housing Dimensions					
		Tol.	d	D	H	d1	Tol.	D1	Tol.	H1	Tol.
BS12500625-187	0.625	+0.000 / -0.001	0.625	0.875	0.187	0.625	+0.000 / -0.001	0.875	+0.003 / -0.000	0.206	+0.010 / -0.000
BS12500625-241	0.625	+0.000 / -0.001	0.625	0.875	0.241	0.625	+0.000 / -0.001	0.875	+0.003 / -0.000	0.265	+0.010 / -0.000
BS18700625-281	0.625	+0.000 / -0.001	0.625	1.000	0.281	0.625	+0.000 / -0.001	1.000	+0.003 / -0.000	0.309	+0.010 / -0.000
BS12500687-187	0.687	+0.000 / -0.001	0.687	0.937	0.187	0.687	+0.000 / -0.001	0.937	+0.003 / -0.000	0.206	+0.010 / -0.000
BS09300750-172	0.750	+0.000 / -0.001	0.750	0.937	0.156	0.750	+0.000 / -0.001	0.937	+0.003 / -0.000	0.171	+0.010 / -0.000
BS12500750-125	0.750	+0.000 / -0.001	0.750	1.000	0.125	0.750	+0.000 / -0.001	1.000	+0.003 / -0.000	0.138	+0.010 / -0.000
BS12500750-187	0.750	+0.000 / -0.001	0.750	1.000	0.187	0.750	+0.000 / -0.001	1.000	+0.003 / -0.000	0.206	+0.010 / -0.000
BS12500750-250	0.750	+0.000 / -0.001	0.750	1.000	0.250	0.750	+0.000 / -0.001	1.000	+0.003 / -0.000	0.275	+0.010 / -0.000
BS18700750-312	0.750	+0.000 / -0.001	0.750	1.125	0.312	0.750	+0.000 / -0.001	1.125	+0.003 / -0.000	0.343	+0.010 / -0.000
BS12500812-187	0.812	+0.000 / -0.001	0.812	1.062	0.187	0.812	+0.000 / -0.001	1.062	+0.003 / -0.000	0.206	+0.010 / -0.000
BS12500812-250	0.812	+0.000 / -0.001	0.812	1.062	0.250	0.812	+0.000 / -0.001	1.062	+0.003 / -0.000	0.275	+0.010 / -0.000
BS12500875-187	0.875	+0.000 / -0.001	0.875	1.125	0.187	0.875	+0.000 / -0.001	1.125	+0.003 / -0.000	0.206	+0.010 / -0.000
BS12500875-250	0.875	+0.000 / -0.001	0.875	1.125	0.250	0.875	+0.000 / -0.001	1.125	+0.003 / -0.000	0.275	+0.010 / -0.000
BS25000875-341	0.875	+0.000 / -0.001	0.875	1.375	0.341	0.875	+0.000 / -0.001	1.375	+0.003 / -0.000	0.375	+0.010 / -0.000
BS12001000-187	1.000	+0.000 / -0.001	1.000	1.240	0.187	1.000	+0.000 / -0.001	1.240	+0.003 / -0.000	0.206	+0.010 / -0.000
BS12501000-187	1.000	+0.000 / -0.001	1.000	1.250	0.187	1.000	+0.000 / -0.001	1.250	+0.003 / -0.000	0.206	+0.010 / -0.000
BS12501000-250	1.000	+0.000 / -0.001	1.000	1.250	0.250	1.000	+0.000 / -0.001	1.250	+0.003 / -0.000	0.275	+0.010 / -0.000
BS15601000-218	1.000	+0.000 / -0.001	1.000	1.312	0.219	1.000	+0.000 / -0.001	1.312	+0.003 / -0.000	0.241	+0.010 / -0.000
BS18701000-250	1.000	+0.000 / -0.001	1.000	1.375	0.250	1.000	+0.000 / -0.001	1.375	+0.003 / -0.000	0.275	+0.010 / -0.000
BS18701000-312	1.000	+0.000 / -0.001	1.000	1.375	0.312	1.000	+0.000 / -0.001	1.375	+0.003 / -0.000	0.343	+0.010 / -0.000
BS25001000-255	1.000	+0.000 / -0.001	1.000	1.500	0.255	1.000	+0.000 / -0.001	1.500	+0.003 / -0.000	0.281	+0.010 / -0.000
BS25001000-341	1.000	+0.000 / -0.001	1.000	1.500	0.341	1.000	+0.000 / -0.001	1.500	+0.003 / -0.000	0.375	+0.010 / -0.000
BS25001000-375	1.000	+0.000 / -0.001	1.000	1.500	0.375	1.000	+0.000 / -0.001	1.500	+0.003 / -0.000	0.413	+0.010 / -0.000
BS12001062-187	1.062	+0.000 / -0.001	1.062	1.302	0.187	1.062	+0.000 / -0.001	1.302	+0.003 / -0.000	0.206	+0.010 / -0.000
BS12501062-187	1.062	+0.000 / -0.001	1.062	1.312	0.187	1.062	+0.000 / -0.001	1.312	+0.003 / -0.000	0.206	+0.010 / -0.000
BS12501062-250	1.062	+0.000 / -0.001	1.062	1.312	0.250	1.062	+0.000 / -0.001	1.312	+0.003 / -0.000	0.275	+0.010 / -0.000
BS12001125-187	1.125	+0.000 / -0.001	1.125	1.365	0.187	1.125	+0.000 / -0.001	1.365	+0.003 / -0.000	0.206	+0.010 / -0.000
BS12101125-187	1.125	+0.000 / -0.001	1.125	1.367	0.187	1.125	+0.000 / -0.001	1.367	+0.003 / -0.000	0.198	+0.010 / -0.000
BS12501125-187	1.125	+0.000 / -0.001	1.125	1.375	0.187	1.125	+0.000 / -0.001	1.375	+0.003 / -0.000	0.206	+0.010 / -0.000
BS12501125-250	1.125	+0.000 / -0.001	1.125	1.375	0.250	1.125	+0.000 / -0.001	1.375	+0.003 / -0.000	0.275	+0.010 / -0.000
BS13701125-187	1.125	+0.000 / -0.001	1.125	1.399	0.187	1.125	+0.000 / -0.001	1.399	+0.003 / -0.000	0.206	+0.010 / -0.000
BS18701125-312	1.125	+0.000 / -0.001	1.125	1.500	0.312	1.125	+0.000 / -0.001	1.500	+0.003 / -0.000	0.343	+0.010 / -0.000
BS21801125-325	1.125	+0.000 / -0.001	1.125	1.562	0.325	1.125	+0.000 / -0.001	1.562	+0.003 / -0.000	0.360	+0.010 / -0.000
BS25001125-250	1.125	+0.000 / -0.001	1.125	1.625	0.250	1.125	+0.000 / -0.001	1.625	+0.003 / -0.000	0.275	+0.010 / -0.000
BS31201125-397	1.125	+0.000 / -0.001	1.125	1.750	0.397	1.125	+0.000 / -0.001	1.750	+0.003 / -0.000	0.437	+0.010 / -0.000
BS18701187-250	1.187	+0.000 / -0.001	1.187	1.562	0.250	1.187	+0.000 / -0.001	1.562	+0.003 / -0.000	0.275	+0.010 / -0.000
BS12001250-197	1.250	+0.000 / -0.001	1.250	1.490	0.197	1.250	+0.000 / -0.001	1.490	+0.003 / -0.000	0.216	+0.010 / -0.000
BS12501250-250	1.250	+0.000 / -0.001	1.250	1.500	0.250	1.250	+0.000 / -0.001	1.500	+0.003 / -0.000	0.275	+0.010 / -0.000
BS18701250-187	1.250	+0.000 / -0.001	1.250	1.625	0.187	1.250	+0.000 / -0.001	1.625	+0.003 / -0.000	0.206	+0.010 / -0.000
BS18701250-227	1.250	+0.000 / -0.001	1.250	1.625	0.227	1.250	+0.000 / -0.001	1.625	+0.003 / -0.000	0.250	+0.010 / -0.000
BS18701250-250	1.250	+0.000 / -0.001	1.250	1.625	0.250	1.250	+0.000 / -0.001	1.625	+0.003 / -0.000	0.275	+0.010 / -0.000
BS18701250-312	1.250	+0.000 / -0.001	1.250	1.625	0.312	1.250	+0.000 / -0.001	1.625	+0.003 / -0.000	0.343	+0.010 / -0.000
BS25001250-250	1.250	+0.000 / -0.001	1.250	1.750	0.250	1.250	+0.000 / -0.001	1.750	+0.003 / -0.000	0.275	+0.010 / -0.000
BS25001250-375	1.250	+0.000 / -0.001	1.250	1.750	0.375	1.250	+0.000 / -0.001	1.750	+0.003 / -0.000	0.413	+0.010 / -0.000
BS31201250-397	1.250	+0.000 / -0.001	1.250	1.875	0.397	1.250	+0.000 / -0.001	1.875	+0.003 / -0.000	0.437	+0.010 / -0.000
BS12001375-197	1.375	+0.000 / -0.001	1.375	1.615	0.197	1.375	+0.000 / -0.001	1.615	+0.003 / -0.000	0.215	+0.010 / -0.000
BS12501375-250	1.375	+0.000 / -0.001	1.375	1.625	0.250	1.375	+0.000 / -0.001	1.625	+0.003 / -0.000	0.275	+0.010 / -0.000

NOTE: MINIMUM LINE ORDER MAY APPLY





Sellos y Retenes de San Luis, S.A. de C.V.

BS SERIES - AU 92A

Ref.Number	Rod diameter		Nominal Seal Dimensions			Housing Dimensions					
		Tol.	d	D	H	d1	Tol.	D1	Tol.	H1	Tol.
BS15601375-218	1.375	+0.000 / -0.001	1.375	1.687	0.218	1.375	+0.000 / -0.001	1.687	+0.003 / -0.000	0.240	+0.010 / -0.000
BS18701375-187	1.375	+0.000 / -0.001	1.375	1.750	0.187	1.375	+0.000 / -0.001	1.750	+0.003 / -0.000	0.206	+0.010 / -0.000
BS18701375-312	1.375	+0.000 / -0.001	1.375	1.750	0.312	1.375	+0.000 / -0.001	1.750	+0.003 / -0.000	0.343	+0.010 / -0.000
BS25001375-375	1.375	+0.000 / -0.001	1.375	1.875	0.375	1.375	+0.000 / -0.001	1.875	+0.003 / -0.000	0.413	+0.010 / -0.000
BS31201375-397	1.375	+0.000 / -0.001	1.375	2.000	0.397	1.375	+0.000 / -0.001	2.000	+0.003 / -0.000	0.437	+0.010 / -0.000
BS18701437-312	1.437	+0.000 / -0.001	1.437	1.812	0.312	1.437	+0.000 / -0.001	1.812	+0.003 / -0.000	0.343	+0.010 / -0.000
BS12001500-187	1.500	+0.000 / -0.001	1.500	1.740	0.187	1.500	+0.000 / -0.001	1.740	+0.003 / -0.000	0.198	+0.010 / -0.000
BS12501500-250	1.500	+0.000 / -0.002	1.500	1.750	0.250	1.500	+0.000 / -0.002	1.750	+0.003 / -0.000	0.275	+0.010 / -0.000
BS18701500-187	1.500	+0.000 / -0.002	1.500	1.875	0.187	1.500	+0.000 / -0.002	1.875	+0.003 / -0.000	0.206	+0.010 / -0.000
BS18701500-250	1.500	+0.000 / -0.002	1.500	1.875	0.250	1.500	+0.000 / -0.002	1.875	+0.003 / -0.000	0.275	+0.010 / -0.000
BS18701500-295	1.500	+0.000 / -0.002	1.500	1.875	0.295	1.500	+0.000 / -0.002	1.875	+0.003 / -0.000	0.323	+0.010 / -0.000
BS18701500-312	1.500	+0.000 / -0.002	1.500	1.875	0.312	1.500	+0.000 / -0.002	1.875	+0.003 / -0.000	0.343	+0.010 / -0.000
BS18701500-375	1.500	+0.000 / -0.002	1.500	1.875	0.375	1.500	+0.000 / -0.002	1.875	+0.003 / -0.000	0.413	+0.010 / -0.000
BS25001500-250	1.500	+0.000 / -0.002	1.500	2.000	0.250	1.500	+0.000 / -0.002	2.000	+0.003 / -0.000	0.275	+0.010 / -0.000
BS25001500-341	1.500	+0.000 / -0.002	1.500	2.000	0.341	1.500	+0.000 / -0.002	2.000	+0.003 / -0.000	0.375	+0.010 / -0.000
BS25001500-375	1.500	+0.000 / -0.002	1.500	2.000	0.375	1.500	+0.000 / -0.002	2.000	+0.003 / -0.000	0.413	+0.010 / -0.000
BS31201500-375	1.500	+0.000 / -0.002	1.500	2.125	0.375	1.500	+0.000 / -0.002	2.125	+0.003 / -0.000	0.413	+0.010 / -0.000
BS31201500-397	1.500	+0.000 / -0.002	1.500	2.125	0.397	1.500	+0.000 / -0.002	2.125	+0.003 / -0.000	0.437	+0.010 / -0.000
BS12501625-250	1.625	+0.000 / -0.002	1.625	1.875	0.250	1.625	+0.000 / -0.002	1.875	+0.004 / -0.000	0.275	+0.010 / -0.000
BS18701625-281	1.625	+0.000 / -0.002	1.625	2.000	0.281	1.625	+0.000 / -0.002	2.000	+0.004 / -0.000	0.309	+0.010 / -0.000
BS18701625-312	1.625	+0.000 / -0.002	1.625	2.000	0.312	1.625	+0.000 / -0.002	2.000	+0.004 / -0.000	0.343	+0.010 / -0.000
BS18701625-375	1.625	+0.000 / -0.002	1.625	2.000	0.375	1.625	+0.000 / -0.002	2.000	+0.004 / -0.000	0.413	+0.010 / -0.000
BS25001625-375	1.625	+0.000 / -0.002	1.625	2.125	0.375	1.625	+0.000 / -0.002	2.125	+0.004 / -0.000	0.413	+0.010 / -0.000
BS12501750-250	1.750	+0.000 / -0.002	1.750	2.000	0.250	1.750	+0.000 / -0.002	2.000	+0.004 / -0.000	0.275	+0.010 / -0.000
BS18401750-283	1.750	+0.000 / -0.002	1.750	2.118	0.283	1.750	+0.000 / -0.002	2.118	+0.004 / -0.000	0.310	+0.010 / -0.000
BS18701750-250	1.750	+0.000 / -0.002	1.750	2.125	0.250	1.750	+0.000 / -0.002	2.125	+0.004 / -0.000	0.275	+0.010 / -0.000
BS18701750-312	1.750	+0.000 / -0.002	1.750	2.125	0.312	1.750	+0.000 / -0.002	2.125	+0.004 / -0.000	0.343	+0.010 / -0.000
BS18701750-375	1.750	+0.000 / -0.002	1.750	2.125	0.375	1.750	+0.000 / -0.002	2.125	+0.004 / -0.000	0.413	+0.010 / -0.000
BS25001750-250	1.750	+0.000 / -0.002	1.750	2.250	0.250	1.750	+0.000 / -0.002	2.250	+0.004 / -0.000	0.275	+0.010 / -0.000
BS25001750-341	1.750	+0.000 / -0.002	1.750	2.250	0.341	1.750	+0.000 / -0.002	2.250	+0.004 / -0.000	0.375	+0.010 / -0.000
BS25001750-375	1.750	+0.000 / -0.002	1.750	2.250	0.375	1.750	+0.000 / -0.002	2.250	+0.004 / -0.000	0.413	+0.010 / -0.000
BS25001750-500	1.750	+0.000 / -0.002	1.750	2.250	0.500	1.750	+0.000 / -0.002	2.250	+0.004 / -0.000	0.550	+0.010 / -0.000
BS31201750-437	1.750	+0.000 / -0.002	1.750	2.375	0.437	1.750	+0.000 / -0.002	2.375	+0.004 / -0.000	0.481	+0.010 / -0.000
BS18501875-281	1.875	+0.000 / -0.002	1.875	2.246	0.281	1.875	+0.000 / -0.002	2.246	+0.004 / -0.000	0.310	+0.010 / -0.000
BS18701875-375	1.875	+0.000 / -0.002	1.875	2.250	0.375	1.875	+0.000 / -0.002	2.250	+0.004 / -0.000	0.413	+0.010 / -0.000
BS25001875-375	1.875	+0.000 / -0.002	1.875	2.375	0.375	1.875	+0.000 / -0.002	2.375	+0.004 / -0.000	0.413	+0.010 / -0.000
BS31201875-397	1.875	+0.000 / -0.002	1.875	2.500	0.397	1.875	+0.000 / -0.002	2.500	+0.004 / -0.000	0.437	+0.010 / -0.000
BS12502000-250	2.000	+0.000 / -0.002	2.000	2.250	0.250	2.000	+0.000 / -0.002	2.250	+0.004 / -0.000	0.275	+0.010 / -0.000
BS18702000-281	2.000	+0.000 / -0.002	2.000	2.370	0.281	2.000	+0.000 / -0.002	2.370	+0.004 / -0.000	0.310	+0.010 / -0.000
BS18702000-250	2.000	+0.000 / -0.002	2.000	2.375	0.250	2.000	+0.000 / -0.002	2.375	+0.004 / -0.000	0.275	+0.010 / -0.000
BS18702000-312	2.000	+0.000 / -0.002	2.000	2.375	0.312	2.000	+0.000 / -0.002	2.375	+0.004 / -0.000	0.343	+0.010 / -0.000
BS18702000-375	2.000	+0.000 / -0.002	2.000	2.375	0.375	2.000	+0.000 / -0.002	2.375	+0.004 / -0.000	0.413	+0.010 / -0.000
BS25002000-250	2.000	+0.000 / -0.002	2.000	2.500	0.250	2.000	+0.000 / -0.002	2.500	+0.004 / -0.000	0.275	+0.010 / -0.000
BS25002000-312	2.000	+0.000 / -0.002	2.000	2.500	0.312	2.000	+0.000 / -0.002	2.500	+0.004 / -0.000	0.343	+0.010 / -0.000
BS25002000-341	2.000	+0.000 / -0.002	2.000	2.500	0.341	2.000	+0.000 / -0.002	2.500	+0.004 / -0.000	0.375	+0.010 / -0.000
BS25002000-375	2.000	+0.000 / -0.002	2.000	2.500	0.375	2.000	+0.000 / -0.002	2.500	+0.004 / -0.000	0.413	+0.010 / -0.000
BS25002000-781	2.000	+0.000 / -0.002	2.000	2.500	0.781	2.000	+0.000 / -0.002	2.500	+0.004 / -0.000	0.859	+0.010 / -0.000

NOTE: MINIMUM LINE ORDER MAY APPLY

INCH SIZE
ROD SEALS





BS SERIES - AU 92A

Ref.Number	Rod diameter		Nominal Seal Dimensions			Housing Dimensions					
		Tol.	d	D	H	d1	Tol.	D1	Tol.	H1	Tol.
BS31202000-312	2.000	+0.000 / -0.002	2.000	2.625	0.312	2.000	+0.000 / -0.002	2.625	+0.004 / -0.000	0.343	+0.010 / -0.000
BS31202000-397	2.000	+0.000 / -0.002	2.000	2.625	0.397	2.000	+0.000 / -0.002	2.625	+0.004 / -0.000	0.437	+0.010 / -0.000
BS31202000-500	2.000	+0.000 / -0.002	2.000	2.625	0.500	2.000	+0.000 / -0.002	2.625	+0.004 / -0.000	0.550	+0.010 / -0.000
BS37502000-625	2.000	+0.000 / -0.002	2.000	2.750	0.625	2.000	+0.000 / -0.002	2.750	+0.004 / -0.000	0.688	+0.010 / -0.000
BS18702125-375	2.125	+0.000 / -0.002	2.125	2.500	0.375	2.125	+0.000 / -0.002	2.500	+0.004 / -0.000	0.413	+0.010 / -0.000
BS18702250-335	2.250	+0.000 / -0.002	2.250	2.625	0.335	2.250	+0.000 / -0.002	2.625	+0.004 / -0.000	0.368	+0.010 / -0.000
BS25002250-341	2.250	+0.000 / -0.002	2.250	2.750	0.341	2.250	+0.000 / -0.002	2.750	+0.004 / -0.000	0.375	+0.010 / -0.000
BS25002250-375	2.250	+0.000 / -0.002	2.250	2.750	0.375	2.250	+0.000 / -0.002	2.750	+0.004 / -0.000	0.413	+0.010 / -0.000
BS31202250-500	2.250	+0.000 / -0.002	2.250	2.875	0.500	2.250	+0.000 / -0.002	2.875	+0.004 / -0.000	0.550	+0.010 / -0.000
BS37502250-511	2.250	+0.000 / -0.002	2.250	3.000	0.511	2.250	+0.000 / -0.002	3.000	+0.004 / -0.000	0.562	+0.010 / -0.000
BS18702375-375	2.375	+0.000 / -0.002	2.375	2.750	0.375	2.375	+0.000 / -0.002	2.750	+0.004 / -0.000	0.413	+0.010 / -0.000
BS25002375-375	2.375	+0.000 / -0.002	2.375	2.875	0.375	2.375	+0.000 / -0.002	2.875	+0.004 / -0.000	0.413	+0.010 / -0.000
BS18502500-281	2.500	+0.000 / -0.002	2.500	2.871	0.281	2.500	+0.000 / -0.002	2.871	+0.004 / -0.000	0.310	+0.010 / -0.000
BS18702500-312	2.500	+0.000 / -0.002	2.500	2.875	0.312	2.500	+0.000 / -0.002	2.875	+0.004 / -0.000	0.343	+0.010 / -0.000
BS18702500-375	2.500	+0.000 / -0.002	2.500	2.875	0.375	2.500	+0.000 / -0.002	2.875	+0.004 / -0.000	0.413	+0.010 / -0.000
BS21802500-284	2.500	+0.000 / -0.002	2.500	2.937	0.284	2.500	+0.000 / -0.002	2.937	+0.004 / -0.000	0.312	+0.010 / -0.000
BS25002500-250	2.500	+0.000 / -0.002	2.500	3.000	0.250	2.500	+0.000 / -0.002	3.000	+0.004 / -0.000	0.275	+0.010 / -0.000
BS25002500-284	2.500	+0.000 / -0.002	2.500	3.000	0.284	2.500	+0.000 / -0.002	3.000	+0.004 / -0.000	0.312	+0.010 / -0.000
BS25002500-375	2.500	+0.000 / -0.002	2.500	3.000	0.375	2.500	+0.000 / -0.002	3.000	+0.004 / -0.000	0.413	+0.010 / -0.000
BS31202500-500	2.500	+0.000 / -0.002	2.500	3.125	0.500	2.500	+0.000 / -0.002	3.125	+0.004 / -0.000	0.550	+0.010 / -0.000
BS37502500-625	2.500	+0.000 / -0.002	2.500	3.250	0.625	2.500	+0.000 / -0.002	3.250	+0.004 / -0.000	0.688	+0.010 / -0.000
BS18702625-375	2.625	+0.000 / -0.002	2.625	3.000	0.375	2.625	+0.000 / -0.002	3.000	+0.004 / -0.000	0.413	+0.010 / -0.000
BS25002625-500	2.625	+0.000 / -0.002	2.625	3.125	0.500	2.625	+0.000 / -0.002	3.125	+0.004 / -0.000	0.550	+0.010 / -0.000
BS31202625-625	2.625	+0.000 / -0.002	2.625	3.250	0.625	2.625	+0.000 / -0.002	3.250	+0.004 / -0.000	0.688	+0.010 / -0.000
BS25702735-312	2.735	+0.000 / -0.002	2.735	3.250	0.312	2.735	+0.000 / -0.002	3.250	+0.004 / -0.000	0.343	+0.010 / -0.000
BS18702750-375	2.750	+0.000 / -0.002	2.750	3.125	0.375	2.750	+0.000 / -0.002	3.125	+0.004 / -0.000	0.413	+0.010 / -0.000
BS25002750-375	2.750	+0.000 / -0.002	2.750	3.250	0.375	2.750	+0.000 / -0.002	3.250	+0.004 / -0.000	0.413	+0.010 / -0.000
BS31202750-375	2.750	+0.000 / -0.002	2.750	3.375	0.375	2.750	+0.000 / -0.002	3.375	+0.004 / -0.000	0.413	+0.010 / -0.000
BS31202750-500	2.750	+0.000 / -0.002	2.750	3.375	0.500	2.750	+0.000 / -0.002	3.375	+0.004 / -0.000	0.550	+0.010 / -0.000
BS31202750-805	2.750	+0.000 / -0.002	2.750	3.375	0.805	2.750	+0.000 / -0.002	3.375	+0.004 / -0.000	0.886	+0.010 / -0.000
BS37502750-625	2.750	+0.000 / -0.002	2.750	3.500	0.625	2.750	+0.000 / -0.002	3.500	+0.004 / -0.000	0.688	+0.010 / -0.000
BS18202875-312	2.875	+0.000 / -0.002	2.875	3.240	0.312	2.875	+0.000 / -0.002	3.240	+0.004 / -0.000	0.343	+0.010 / -0.000
BS18702875-375	2.875	+0.000 / -0.002	2.875	3.250	0.375	2.875	+0.000 / -0.002	3.250	+0.004 / -0.000	0.413	+0.010 / -0.000
BS18703000-375	3.000	+0.000 / -0.003	3.000	3.375	0.375	3.000	+0.000 / -0.003	3.375	+0.004 / -0.000	0.413	+0.010 / -0.000
BS21803000-281	3.000	+0.000 / -0.003	3.000	3.437	0.281	3.000	+0.000 / -0.003	3.437	+0.004 / -0.000	0.309	+0.010 / -0.000
BS25003000-375	3.000	+0.000 / -0.003	3.000	3.500	0.375	3.000	+0.000 / -0.003	3.500	+0.004 / -0.000	0.413	+0.010 / -0.000
BS25003000-625	3.000	+0.000 / -0.003	3.000	3.500	0.625	3.000	+0.000 / -0.003	3.500	+0.004 / -0.000	0.688	+0.010 / -0.000
BS25003000-781	3.000	+0.000 / -0.003	3.000	3.500	0.781	3.000	+0.000 / -0.003	3.500	+0.004 / -0.000	0.859	+0.010 / -0.000
BS31203000-500	3.000	+0.000 / -0.003	3.000	3.625	0.500	3.000	+0.000 / -0.003	3.625	+0.004 / -0.000	0.550	+0.010 / -0.000
BS37503000-625	3.000	+0.000 / -0.003	3.000	3.750	0.625	3.000	+0.000 / -0.003	3.750	+0.004 / -0.000	0.688	+0.010 / -0.000
BS18703125-625	3.125	+0.000 / -0.003	3.125	3.500	0.625	3.125	+0.000 / -0.003	3.500	+0.004 / -0.000	0.688	+0.010 / -0.000
BS18703250-375	3.250	+0.000 / -0.003	3.250	3.625	0.375	3.250	+0.000 / -0.003	3.625	+0.004 / -0.000	0.413	+0.010 / -0.000
BS18703250-562	3.250	+0.000 / -0.003	3.250	3.625	0.562	3.250	+0.000 / -0.003	3.625	+0.004 / -0.000	0.618	+0.010 / -0.000
BS25003250-375	3.250	+0.000 / -0.003	3.250	3.750	0.375	3.250	+0.000 / -0.003	3.750	+0.004 / -0.000	0.413	+0.010 / -0.000
BS31203250-500	3.250	+0.000 / -0.003	3.250	3.875	0.500	3.250	+0.000 / -0.003	3.875	+0.004 / -0.000	0.550	+0.010 / -0.000
BS18203375-312	3.375	+0.000 / -0.003	3.375	3.740	0.312	3.375	+0.000 / -0.003	3.740	+0.004 / -0.000	0.343	+0.010 / -0.000
BS25003375-375	3.375	+0.000 / -0.003	3.375	3.875	0.375	3.375	+0.000 / -0.003	3.875	+0.004 / -0.000	0.413	+0.010 / -0.000

NOTE: MINIMUM LINE ORDER MAY APPLY





Sellos y Retenes de San Luis, S.A. de C.V.

BS SERIES - AU 92A

Ref.Number	Rod diameter		Nominal Seal Dimensions			Housing Dimensions					
		Tol.	d	D	H	d1	Tol.	D1	Tol.	H1	Tol.
BS31203375-594	3.375	+0.000 / -0.003	3.375	4.000	0.593	3.375	+0.000 / -0.003	4.000	+0.004 / -0.000	0.652	+0.010 / -0.000
BS18703500-375	3.500	+0.000 / -0.003	3.500	3.875	0.375	3.500	+0.000 / -0.003	3.875	+0.004 / -0.000	0.413	+0.010 / -0.000
BS25003500-312	3.500	+0.000 / -0.003	3.500	4.000	0.312	3.500	+0.000 / -0.003	4.000	+0.004 / -0.000	0.343	+0.010 / -0.000
BS25003500-375	3.500	+0.000 / -0.003	3.500	4.000	0.375	3.500	+0.000 / -0.003	4.000	+0.004 / -0.000	0.413	+0.010 / -0.000
BS31203500-500	3.500	+0.000 / -0.003	3.500	4.125	0.500	3.500	+0.000 / -0.003	4.125	+0.004 / -0.000	0.550	+0.010 / -0.000
BS37503500-625	3.500	+0.000 / -0.003	3.500	4.250	0.625	3.500	+0.000 / -0.003	4.250	+0.004 / -0.000	0.688	+0.010 / -0.000
BS25003625-375	3.625	+0.000 / -0.003	3.625	4.125	0.375	3.625	+0.000 / -0.003	4.125	+0.004 / -0.000	0.413	+0.010 / -0.000
BS18703750-375	3.750	+0.000 / -0.003	3.750	4.125	0.375	3.750	+0.000 / -0.003	4.125	+0.004 / -0.000	0.413	+0.010 / -0.000
BS25003750-375	3.750	+0.000 / -0.003	3.750	4.250	0.375	3.750	+0.000 / -0.003	4.250	+0.004 / -0.000	0.413	+0.010 / -0.000
BS25003750-500	3.750	+0.000 / -0.003	3.750	4.250	0.500	3.750	+0.000 / -0.003	4.250	+0.004 / -0.000	0.550	+0.010 / -0.000
BS25003750-562	3.750	+0.000 / -0.003	3.750	4.250	0.562	3.750	+0.000 / -0.003	4.250	+0.004 / -0.000	0.618	+0.010 / -0.000
BS18203875-312	3.875	+0.000 / -0.003	3.875	4.240	0.312	3.875	+0.000 / -0.003	4.240	+0.004 / -0.000	0.343	+0.010 / -0.000
BS25003875-375	3.875	+0.000 / -0.003	3.875	4.375	0.375	3.875	+0.000 / -0.003	4.375	+0.004 / -0.000	0.413	+0.010 / -0.000
BS18704000-375	4.000	+0.000 / -0.004	4.000	4.375	0.375	4.000	+0.000 / -0.004	4.375	+0.004 / -0.000	0.413	+0.010 / -0.000
BS25004000-312	4.000	+0.000 / -0.004	4.000	4.500	0.312	4.000	+0.000 / -0.004	4.500	+0.004 / -0.000	0.343	+0.010 / -0.000
BS25004000-375	4.000	+0.000 / -0.004	4.000	4.500	0.375	4.000	+0.000 / -0.004	4.500	+0.004 / -0.000	0.413	+0.010 / -0.000
BS25004000-562	4.000	+0.000 / -0.004	4.000	4.500	0.562	4.000	+0.000 / -0.004	4.500	+0.004 / -0.000	0.618	+0.010 / -0.000
BS25004000-781	4.000	+0.000 / -0.004	4.000	4.500	0.781	4.000	+0.000 / -0.004	4.500	+0.004 / -0.000	0.859	+0.010 / -0.000
BS31204000-375	4.000	+0.000 / -0.004	4.000	4.625	0.375	4.000	+0.000 / -0.004	4.625	+0.004 / -0.000	0.413	+0.010 / -0.000
BS31204000-500	4.000	+0.000 / -0.004	4.000	4.625	0.500	4.000	+0.000 / -0.004	4.625	+0.004 / -0.000	0.550	+0.010 / -0.000
BS37504000-500	4.000	+0.000 / -0.004	4.000	4.750	0.500	4.000	+0.000 / -0.004	4.750	+0.004 / -0.000	0.550	+0.010 / -0.000
BS37504000-625	4.000	+0.000 / -0.004	4.000	4.750	0.625	4.000	+0.000 / -0.004	4.750	+0.004 / -0.000	0.688	+0.010 / -0.000
BS37504250-625	4.250	+0.000 / -0.004	4.250	5.000	0.625	4.250	+0.000 / -0.004	5.000	+0.005 / -0.000	0.688	+0.010 / -0.000
BS25004500-375	4.500	+0.000 / -0.004	4.500	5.000	0.375	4.500	+0.000 / -0.004	5.000	+0.005 / -0.000	0.413	+0.010 / -0.000
BS31204500-500	4.500	+0.000 / -0.004	4.500	5.125	0.500	4.500	+0.000 / -0.004	5.125	+0.005 / -0.000	0.550	+0.010 / -0.000
BS31204500-625	4.500	+0.000 / -0.004	4.500	5.125	0.625	4.500	+0.000 / -0.004	5.125	+0.005 / -0.000	0.688	+0.010 / -0.000
BS37504500-625	4.500	+0.000 / -0.004	4.500	5.250	0.625	4.500	+0.000 / -0.004	5.250	+0.005 / -0.000	0.688	+0.010 / -0.000
BS31204625-625	4.625	+0.000 / -0.004	4.625	5.250	0.625	4.625	+0.000 / -0.004	5.250	+0.005 / -0.000	0.688	+0.010 / -0.000
BS18704750-375	4.750	+0.000 / -0.004	4.750	5.125	0.375	4.750	+0.000 / -0.004	5.125	+0.005 / -0.000	0.413	+0.010 / -0.000
BS25004750-625	4.750	+0.000 / -0.004	4.750	5.250	0.625	4.750	+0.000 / -0.004	5.250	+0.005 / -0.000	0.688	+0.010 / -0.000
BS25005000-375	5.000	+0.000 / -0.004	5.000	5.500	0.375	5.000	+0.000 / -0.004	5.500	+0.005 / -0.000	0.413	+0.010 / -0.000
BS25005000-562	5.000	+0.000 / -0.004	5.000	5.500	0.562	5.000	+0.000 / -0.004	5.500	+0.005 / -0.000	0.618	+0.010 / -0.000
BS25005000-781	5.000	+0.000 / -0.004	5.000	5.500	0.781	5.000	+0.000 / -0.004	5.500	+0.005 / -0.000	0.859	+0.010 / -0.000
BS26505000-557	5.000	+0.000 / -0.004	5.000	5.531	0.557	5.000	+0.000 / -0.004	5.531	+0.005 / -0.000	0.613	+0.010 / -0.000
BS31205000-500	5.000	+0.000 / -0.004	5.000	5.625	0.500	5.000	+0.000 / -0.004	5.625	+0.005 / -0.000	0.550	+0.010 / -0.000
BS37505000-625	5.000	+0.000 / -0.004	5.000	5.750	0.625	5.000	+0.000 / -0.004	5.750	+0.005 / -0.000	0.688	+0.010 / -0.000
BS25005125-562	5.125	+0.000 / -0.004	5.125	5.625	0.562	5.125	+0.000 / -0.004	5.625	+0.005 / -0.000	0.618	+0.010 / -0.000
BS43705125-500	5.125	+0.000 / -0.004	5.125	6.000	0.500	5.125	+0.000 / -0.004	6.000	+0.005 / -0.000	0.550	+0.010 / -0.000
BS25005375-625	5.375	+0.000 / -0.004	5.375	5.875	0.625	5.375	+0.000 / -0.004	5.875	+0.005 / -0.000	0.688	+0.010 / -0.000
BS31205375-625	5.375	+0.000 / -0.004	5.375	6.000	0.625	5.375	+0.000 / -0.004	6.000	+0.005 / -0.000	0.688	+0.010 / -0.000
BS25005500-375	5.500	+0.000 / -0.004	5.500	6.000	0.375	5.500	+0.000 / -0.004	6.000	+0.005 / -0.000	0.413	+0.010 / -0.000
BS25005500-562	5.500	+0.000 / -0.004	5.500	6.000	0.562	5.500	+0.000 / -0.004	6.000	+0.005 / -0.000	0.618	+0.010 / -0.000
BS31205500-312	5.500	+0.000 / -0.004	5.500	6.125	0.312	5.500	+0.000 / -0.004	6.125	+0.005 / -0.000	0.343	+0.010 / -0.000
BS37505500-625	5.500	+0.000 / -0.004	5.500	6.250	0.625	5.500	+0.000 / -0.004	6.250	+0.005 / -0.000	0.688	+0.010 / -0.000
BS25005625-375	5.625	+0.000 / -0.004	5.625	6.125	0.375	5.625	+0.000 / -0.004	6.125	+0.005 / -0.000	0.413	+0.010 / -0.000
BS25006000-562	6.000	+0.000 / -0.004	6.000	6.500	0.562	6.000	+0.000 / -0.004	6.500	+0.006 / -0.000	0.618	+0.010 / -0.000
BS25006000-781	6.000	+0.000 / -0.004	6.000	6.500	0.781	6.000	+0.000 / -0.004	6.500	+0.006 / -0.000	0.859	+0.010 / -0.000

NOTE: MINIMUM LINE ORDER MAY APPLY

INCH SIZE
ROD SEALS





BS SERIES - AU 92A

Ref.Number	Rod diameter		Nominal Seal Dimensions			Housing Dimensions					
		Tol.	d	D	H	d1	Tol.	D1	Tol.	H1	Tol.
BS26506000-562	6.000	+ .000 / -.004	6.000	6.531	0.562	6.000	+ .000 / -.004	6.531	+ .006 / -.000	0.618	+ .010 / -.000
BS37506000-625	6.000	+ .000 / -.004	6.000	6.750	0.625	6.000	+ .000 / -.004	6.750	+ .006 / -.000	0.688	+ .010 / -.000
BS37506500-625	6.500	+ .000 / -.004	6.500	7.250	0.625	6.500	+ .000 / -.004	7.250	+ .006 / -.000	0.688	+ .010 / -.000
BS25007000-562	7.000	+ .000 / -.004	7.000	7.500	0.562	7.000	+ .000 / -.004	7.500	+ .006 / -.000	0.618	+ .010 / -.000
BS25007000-781	7.000	+ .000 / -.004	7.000	7.500	0.781	7.000	+ .000 / -.004	7.500	+ .006 / -.000	0.859	+ .010 / -.000
BS26507000-562	7.000	+ .000 / -.004	7.000	7.531	0.562	7.000	+ .000 / -.004	7.531	+ .006 / -.000	0.618	+ .010 / -.000
BS37507000-625	7.000	+ .000 / -.004	7.000	7.750	0.625	7.000	+ .000 / -.004	7.750	+ .006 / -.000	0.688	+ .010 / -.000
BS25007500-375	7.500	+ .000 / -.004	7.500	8.000	0.375	7.500	+ .000 / -.004	8.000	+ .006 / -.000	0.413	+ .010 / -.000
BS37507750-625	7.750	+ .000 / -.004	7.750	8.500	0.625	7.750	+ .000 / -.004	8.500	+ .006 / -.000	0.688	+ .010 / -.000
BS25008000-375	8.000	+ .000 / -.004	8.000	8.500	0.375	8.000	+ .000 / -.004	8.500	+ .006 / -.000	0.413	+ .010 / -.000
BS25008000-562	8.000	+ .000 / -.004	8.000	8.500	0.562	8.000	+ .000 / -.004	8.500	+ .006 / -.000	0.618	+ .010 / -.000
BS37508000-625	8.000	+ .000 / -.004	8.000	8.750	0.625	8.000	+ .000 / -.004	8.750	+ .006 / -.000	0.688	+ .010 / -.000
BS25008125-781	8.125	+ .000 / -.004	8.125	8.625	0.781	8.125	+ .000 / -.004	8.625	+ .006 / -.000	0.859	+ .010 / -.000
BS25008500-375	8.500	+ .000 / -.004	8.500	9.000	0.375	8.500	+ .000 / -.004	9.000	+ .006 / -.000	0.413	+ .010 / -.000
BS25009000-562	9.000	+ .000 / -.004	9.000	9.500	0.562	9.000	+ .000 / -.004	9.500	+ .006 / -.000	0.618	+ .010 / -.000
BS37509250-625	9.250	+ .000 / -.004	9.250	10.000	0.625	9.250	+ .000 / -.004	10.000	+ .006 / -.000	0.688	+ .010 / -.000
BS25009375-781	9.375	+ .000 / -.004	9.375	9.875	0.781	9.375	+ .000 / -.004	9.875	+ .006 / -.000	0.859	+ .010 / -.000
BS25009750-375	9.750	+ .000 / -.004	9.750	10.250	0.375	9.750	+ .000 / -.004	10.250	+ .006 / -.000	0.413	+ .010 / -.000
BS25010000-562	10.000	+ .000 / -.004	10.000	10.500	0.562	10.000	+ .000 / -.004	10.500	+ .006 / -.000	0.618	+ .010 / -.000

NOTE: MINIMUM LINE ORDER MAY APPLY

INCH SIZE
ROD SEALS

