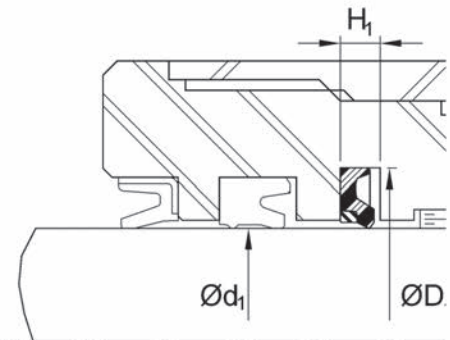
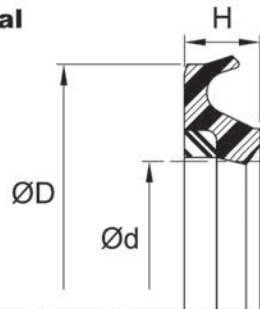




RH - Buffer Seals Polyurethane AU 94A/Polyacetal



Temperature: -31/212F [-35/100C]

Pressure: 8500 PSI [584 Bar]

METRIC SIZE
ROD SEALS



Ref.Number	Rod diameter		Nominal Seal Dimensions			Housing Dimensions					
		Tol.	d	D	H	d1	Tol.	D1	Tol.	H1	Tol.
R035051060RH	35.50	+0.00/-0.05	35.50	51.00	6.00	35.50	+0.00/-0.05	50.00	+0.20/-0.00	6.30	+0.20/-0.00
R040055060RH	40.00	+0.00/-0.05	40.00	55.50	6.00	40.00	+0.00/-0.05	55.50	+0.20/-0.00	6.30	+0.20/-0.00
R045060060RH	45.00	+0.00/-0.05	45.00	60.50	6.00	45.00	+0.00/-0.05	60.50	+0.20/-0.00	6.30	+0.20/-0.00
R050065060RH	50.00	+0.00/-0.05	50.00	65.50	6.00	50.00	+0.00/-0.05	65.50	+0.20/-0.00	6.30	+0.20/-0.00
R055070060RH	55.00	+0.00/-0.05	55.00	70.50	6.00	55.00	+0.00/-0.05	70.50	+0.20/-0.00	6.30	+0.20/-0.00
R056071060RH	56.00	+0.00/-0.05	56.00	71.50	6.00	55.00	+0.00/-0.05	71.50	+0.20/-0.00	6.30	+0.20/-0.00
R060075060RH	60.00	+0.00/-0.05	60.00	75.50	6.00	60.00	+0.00/-0.05	75.50	+0.20/-0.00	6.30	+0.20/-0.00
R063078060RH	63.00	+0.00/-0.05	63.00	78.50	6.00	63.00	+0.00/-0.05	78.50	+0.20/-0.00	6.30	+0.20/-0.00
R065080060RH	65.00	+0.00/-0.06	65.00	80.50	6.00	65.00	+0.00/-0.06	80.50	+0.20/-0.00	6.30	+0.20/-0.00
R070085060RH	70.00	+0.00/-0.06	70.00	85.50	6.00	70.00	+0.00/-0.06	85.50	+0.20/-0.00	6.30	+0.20/-0.00
R075090060RH	75.00	+0.00/-0.06	75.00	90.50	6.00	75.00	+0.00/-0.06	90.50	+0.20/-0.00	6.30	+0.20/-0.00
R080095060RH	80.00	+0.00/-0.09	80.00	95.50	6.00	80.00	+0.00/-0.09	95.50	+0.20/-0.00	6.30	+0.20/-0.00
R085100060RH	85.00	+0.00/-0.09	85.00	100.50	6.00	85.00	+0.00/-0.09	100.50	+0.20/-0.00	6.30	+0.20/-0.00
R090105060RH	90.00	+0.00/-0.09	90.00	105.50	6.00	90.00	+0.00/-0.09	105.50	+0.20/-0.00	6.30	+0.20/-0.00
R095110060RH	95.00	+0.00/-0.09	95.00	110.50	6.00	95.00	+0.00/-0.09	110.50	+0.20/-0.00	6.30	+0.20/-0.00
R100115060RH	100.00	+0.00/-0.09	100.00	115.50	6.00	100.00	+0.00/-0.09	115.50	+0.20/-0.00	6.30	+0.20/-0.00
R105120060RH	105.00	+0.00/-0.13	105.00	120.50	6.00	105.00	+0.00/-0.13	120.50	+0.20/-0.00	6.30	+0.20/-0.00
R110125060RH	110.00	+0.00/-0.13	110.00	125.50	6.00	110.00	+0.00/-0.13	125.50	+0.20/-0.00	6.30	+0.20/-0.00
R115130060RH	115.00	+0.00/-0.13	115.00	130.50	6.00	115.00	+0.00/-0.13	130.50	+0.20/-0.00	6.30	+0.20/-0.00
R120135060RH	120.00	+0.00/-0.13	120.00	135.50	6.00	120.00	+0.00/-0.13	135.50	+0.20/-0.00	6.30	+0.20/-0.00
R125140060RH	125.00	+0.00/-0.13	125.00	140.50	6.00	125.00	+0.00/-0.13	140.50	+0.20/-0.00	6.30	+0.20/-0.00
R130145060RH	130.00	+0.00/-0.13	130.00	145.50	6.00	130.00	+0.00/-0.13	145.50	+0.20/-0.00	6.30	+0.20/-0.00
R132147060RH	132.00	+0.00/-0.13	132.00	147.50	6.00	132.00	+0.00/-0.13	147.50	+0.20/-0.00	6.30	+0.20/-0.00
R135150060RH	135.00	+0.00/-0.13	135.00	150.50	6.00	135.00	+0.00/-0.13	150.50	+0.20/-0.00	6.30	+0.20/-0.00
R140155060RH	140.00	+0.00/-0.13	140.00	155.50	6.00	140.00	+0.00/-0.13	155.50	+0.20/-0.00	6.30	+0.20/-0.00
R150165060RH	150.00	+0.00/-0.13	150.00	165.50	6.00	150.00	+0.00/-0.13	165.50	+0.20/-0.00	6.30	+0.20/-0.00
R155170060RH	155.00	+0.00/-0.13	155.00	170.50	6.00	155.00	+0.00/-0.13	170.50	+0.20/-0.00	6.30	+0.20/-0.00

NOTE: MINIMUM LINE ORDER MAY APPLY



Sellos y Retenes de San Luis, S.A. de C.V.

RH SERIES - AU 94A/POM

Ref.Number	Rod diameter		Nominal Seal Dimensions			Housing Dimensions					
		Tol.	d	D	H	d1	Tol.	D1	Tol.	H1	Tol.
R160175060RH	160.00	+0.00 / -0.13	160.00	175.50	6.00	160.00	+0.00 / -0.13	175.50	+0.20 / -0.00	6.30	+0.20 / -0.00
R170185060RH	170.00	+0.00 / -0.13	170.00	185.50	6.00	170.00	+0.00 / -0.13	185.50	+0.20 / -0.00	6.30	+0.20 / -0.00
R180195060RH	180.00	+0.00 / -0.13	180.00	195.50	6.00	180.00	+0.00 / -0.13	195.50	+0.20 / -0.00	6.30	+0.20 / -0.00
R190205060RH	190.00	+0.00 / -0.13	190.00	205.50	6.00	190.00	+0.00 / -0.13	205.50	+0.20 / -0.00	6.30	+0.20 / -0.00
R200215081RH	200.00	+0.00 / -0.13	200.00	220.50	7.70	200.00	+0.00 / -0.13	220.50	+0.20 / -0.00	8.10	+0.20 / -0.00
R210225081RH	210.00	+0.00 / -0.13	210.00	230.50	7.70	210.00	+0.00 / -0.13	230.50	+0.20 / -0.00	8.10	+0.20 / -0.00

NOTE: MINIMUM LINE ORDER MAY APPLY

METRIC SIZE
ROD SEALS

