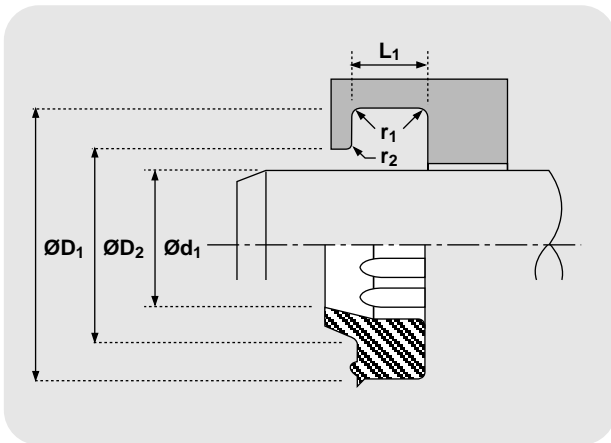


520

TECHNICAL DETAILS		METRIC	INCH
OPERATING CONDITIONS			
MAXIMUM SPEED	4.0 m/sec	12.0 ft/sec	
TEMPERATURE RANGE	-40°C + 110°C	-40°F + 230°F	
SURFACE ROUGHNESS			
DYNAMIC SEALING FACE $\varnothing d_1$	μmRa 0.1 \leftrightarrow 0.4	μmRt 4 max	μinCLA 4 \leftrightarrow 16
STATIC SEALING FACE $\varnothing D_1$ $\varnothing D_2$	1.6 max	10 max	μinRMS 5 \leftrightarrow 18
STATIC HOUSING FACES L_1	3.2 max	16 max	63 max 70 max 125 max 140 max
RADII			
MAX FILLET RAD r_1 in	0.016		
MAX FILLET RAD r_2 in	0.016		
TOLERANCES			
$\varnothing d_1$	$\varnothing D_1$	$\varnothing D_2$	L_1
f9	± 0.003	± 0.005	+0.004 -0



DESIGN

The Hallite 520 snap-in rod wiper has been designed to fit "Universal" style housings. The proportions of the wiping lip ensure that contact is maintained with the surface of the rod to remove heavily deposited mud, ice, etc. The outside diameter contacts the housing diameter and has a sealing lip to prevent moisture entering the groove. The moulded ribs on the internal diameter provides extra stability to the seal and help prevent pressure trapping.

The Hallite 520 is available in two polyurethane compounds or a polyester based compound and can be used with a split housing, however the majority can be installed in a blind housing with care.

FEATURES

- PRECISION TRIMMED SEALING LIP
- 'CRUSH LIP' AND 'FACE BEAD' PROVIDE EFFECTIVE SEAL ON HOUSING
- LOW WEAR LONG LIFE
- COST EFFECTIVE
- PRESSURE RELIEF RIBS
- HALLITE 361 OR POLYESTER MATERIAL FOR HEAVY DUTY APPLICATIONS

MATERIAL OPTION

The part numbers shown are for Hythane 181. If you require this product in polyester, or Hallite 361

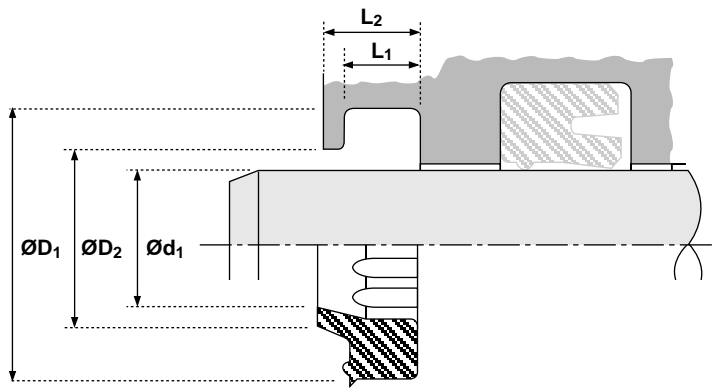
For example:

- 8880910 = Hythane 181
- 8880916 = Hallite 361

Wipers

520

inch

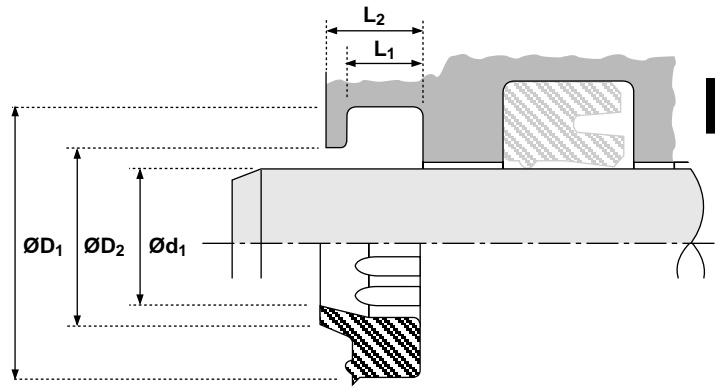


Ød_1	TOL f9	ØD_1	TOL	ØD_2	TOL	L_1 +0.004 -0	L_2	PART No.
0.500	-0.0005 -0.0019	0.750	+0.003 -0.003	0.665	+0.005 -0.005	0.125	0.187	8880210
0.625	-0.0006 -0.0023	0.875	+0.003 -0.003	0.790	+0.005 -0.005	0.125	0.187	8880310
0.750	-0.0008 -0.0028	1.125	+0.003 -0.003	1.000	+0.005 -0.005	0.187	0.281	8880410
0.875	-0.0008 -0.0028	1.250	+0.003 -0.003	1.125	+0.005 -0.005	0.187	0.281	8880510
1.000	-0.0008 -0.0028	1.375	+0.003 -0.003	1.250	+0.005 -0.005	0.187	0.281	8880610
1.125	-0.0008 -0.0028	1.500	+0.003 -0.003	1.375	+0.005 -0.005	0.187	0.281	8880710
1.187	-0.0008 -0.0028	1.562	+0.003 -0.003	1.437	+0.005 -0.005	0.187	0.281	8880810
1.250	-0.0010 -0.0034	1.625	+0.003 -0.003	1.500	+0.005 -0.005	0.187	0.281	8880910
1.375	-0.0010 -0.0034	1.750	+0.003 -0.003	1.625	+0.005 -0.005	0.187	0.281	8881110
1.500	-0.0010 -0.0034	1.875	+0.003 -0.003	1.750	+0.005 -0.005	0.187	0.281	8881210
1.625	-0.0010 -0.0034	2.000	+0.003 -0.003	1.875	+0.005 -0.005	0.187	0.281	8881310
1.750	-0.0010 -0.0034	2.125	+0.003 -0.003	2.000	+0.005 -0.005	0.187	0.281	8881410
2.000	-0.0012 -0.0041	2.500	+0.003 -0.003	2.332	+0.005 -0.005	0.250	0.375	8881510
2.250	-0.0012 -0.0041	2.750	+0.003 -0.003	2.582	+0.005 -0.005	0.250	0.375	8881610
2.375	-0.0012 -0.0041	2.875	+0.003 -0.003	2.707	+0.005 -0.005	0.250	0.375	8887210
2.500	-0.0012 -0.0041	3.000	+0.003 -0.003	2.832	+0.005 -0.005	0.250	0.375	8881710
2.750	-0.0012 -0.0041	3.250	+0.003 -0.003	3.082	+0.005 -0.005	0.250	0.375	8881810
3.000	-0.0012 -0.0041	3.500	+0.003 -0.003	3.332	+0.005 -0.005	0.250	0.375	8881910
3.250	-0.0014 -0.0048	3.750	+0.003 -0.003	3.582	+0.005 -0.005	0.250	0.375	8882010
3.500	-0.0014 -0.0048	4.000	+0.003 -0.003	3.832	+0.005 -0.005	0.250	0.375	8882110
3.750	-0.0014 -0.0048	4.250	+0.003 -0.003	4.082	+0.005 -0.005	0.250	0.375	8882210
3.875	-0.0014 -0.0048	4.375	+0.003 -0.003	4.207	+0.005 -0.005	0.250	0.375	8888810
4.000	-0.0014 -0.0048	4.500	+0.003 -0.003	4.332	+0.005 -0.005	0.250	0.375	8882310

Wipers

520

inch



Ød ₁	TOL f ₉	ØD ₁	TOL	ØD ₂	TOL	L ₁ +0.004 -0	L ₂	PART No.
4.250	-0.0014 -0.0048	4.750	+0.003 -0.003	4.582	+0.005 -0.005	0.250	0.375	8882410
4.500	-0.0014 -0.0048	5.250	+0.003 -0.003	4.998	+0.005 -0.005	0.375	0.562	8882510
4.750	-0.0014 -0.0048	5.500	+0.003 -0.003	5.248	+0.005 -0.005	0.375	0.562	8887310
5.000	-0.0017 -0.0056	5.500	+0.003 -0.003	5.332	+0.005 -0.005	0.250	0.375	8887910
5.000	-0.0017 -0.0056	5.750	+0.003 -0.003	5.498	+0.005 -0.005	0.375	0.562	8882610
5.250	-0.0017 -0.0056	6.000	+0.003 -0.003	5.748	+0.005 -0.005	0.375	0.562	8882710
5.500	-0.0017 -0.0056	6.250	+0.003 -0.003	5.998	+0.005 -0.005	0.375	0.562	8882810
6.000	-0.0017 -0.0056	6.500	+0.003 -0.003	6.332	+0.005 -0.005	0.250	0.375	8888010
6.000	-0.0017 -0.0056	6.750	+0.003 -0.003	6.498	+0.005 -0.005	0.375	0.562	8882910
7.000	-0.0017 -0.0056	7.500	+0.003 -0.003	7.332	+0.005 -0.005	0.250	0.375	8888310
7.000	-0.0017 -0.0056	7.750	+0.003 -0.003	7.498	+0.005 -0.005	0.375	0.562	8883210
8.000	-0.0020 -0.0065	8.750	+0.003 -0.003	8.498	+0.005 -0.005	0.375	0.562	8883310
8.125	-0.0020 -0.0065	8.625	+0.003 -0.003	8.457	+0.005 -0.005	0.250	0.375	8888410

Notes